

1.8 Cu. Ft. Over-The-Range Microwave

Over-The-Range Microwave

Available Products: FFMV1846VB, FFMV1846VD, FFMV1846VS, FFMV1846VW

Available Colors: Black, Black Stainless Steel, Stainless Steel, White

Version: 08/22



Product Specifications

Cooking Controls

Clock	Yes
Number of Power Levels	10
Cooking Power	1000 Watts

Ventilation System

Exhaust Fan Speeds	2
Removable Grease Filter	Yes

Internal Specifications

Turntable Diameter	12 41/100"
--------------------	------------

Dimensions and Volume

Height	16 3/8"
Width	29 7/8"
Depth	15 3/4"
Microwave Interior Height	10 9/16"
Microwave Interior Width	21 9/100"
Microwave Interior Depth	14 9/16"
Microwave Capacity	1.8 Cu. Ft.

Installation

Power Supply Connection Location	Right Top
----------------------------------	-----------

Certifications and Approvals

ADA Compliant	No
---------------	----

Microwave Cooking

Beverage	Yes
Popcorn	Yes
Potato	Yes
Melt / Soften	Yes
Veggies	Yes

Microwave Control Features

+ 10 Seconds	Yes
+ 30 Seconds	Yes

Surface Light System

Lighting Type	LED
Number of Lights	1

Electrical Specifications

Voltage Rating	120 V
----------------	-------

General Specifications

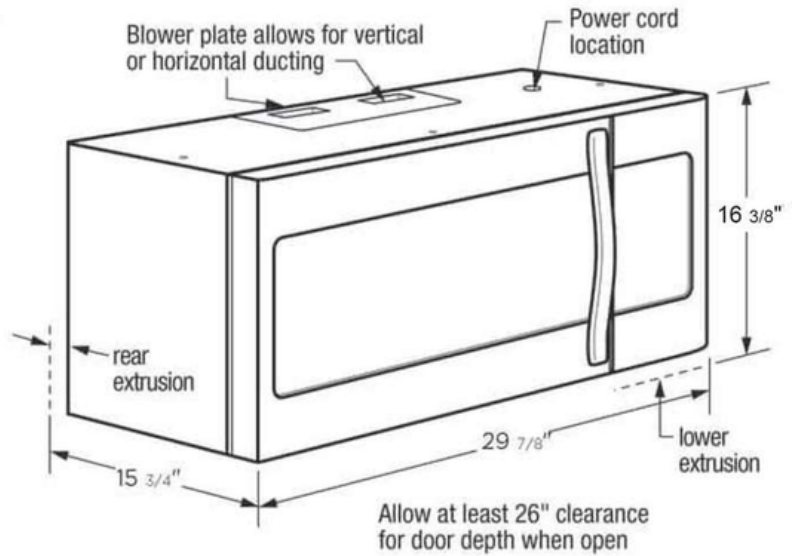
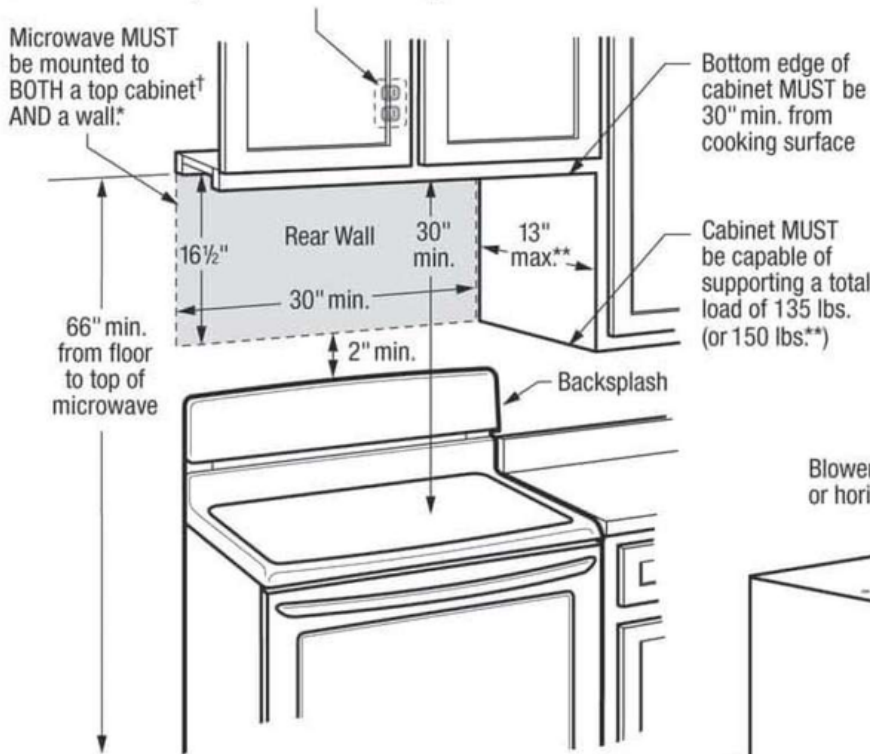
Prop 65 Label	Yes
Warranty - Labor	1 Year
Warranty - Parts	1 Year

Safety Certifications and Approvals

UL Listed	Yes
-----------	-----

Installation Diagram

Locate 120V/60Hz grounded outlet inside upper cabinet



†When installing beneath smooth, flat cabinets, refer to cabinet template for detailed power cord clearance instructions

*Can NOT be installed in island or peninsula cabinet arrangements

**If cabinet depth (including doors) is deeper than 13", unit MUST be spaced out from rear wall using adequate materials (supporting 150 lbs.) to allow proper top vent air exhaust/intake